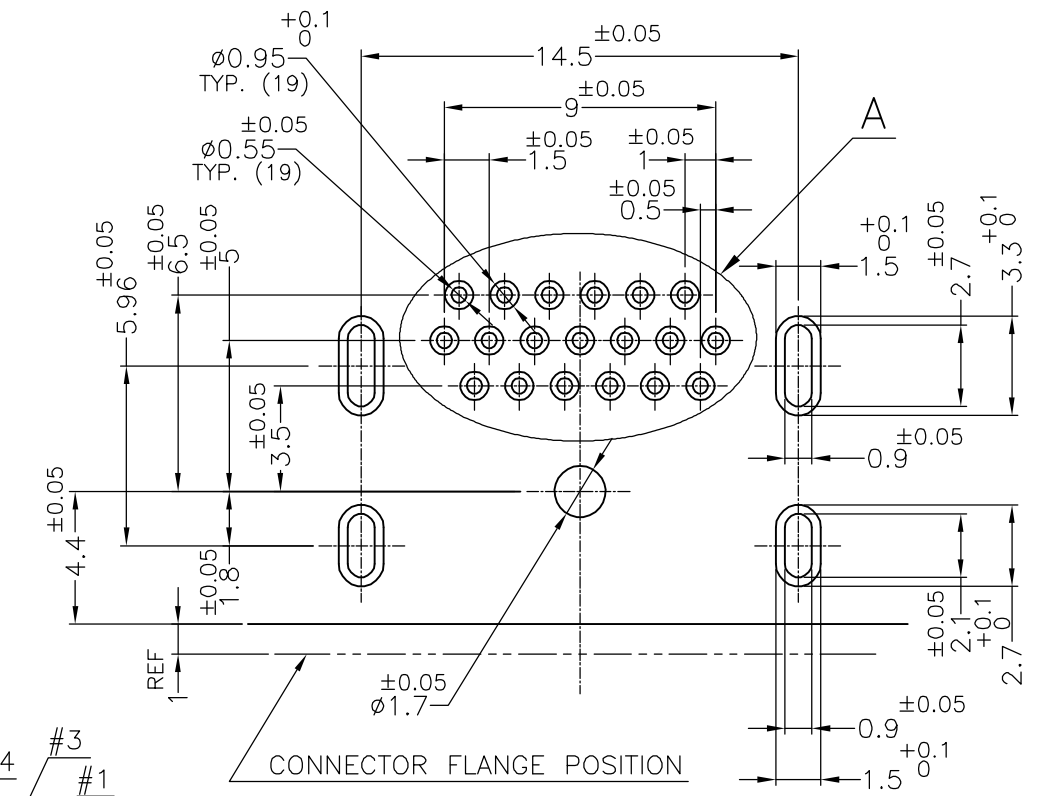
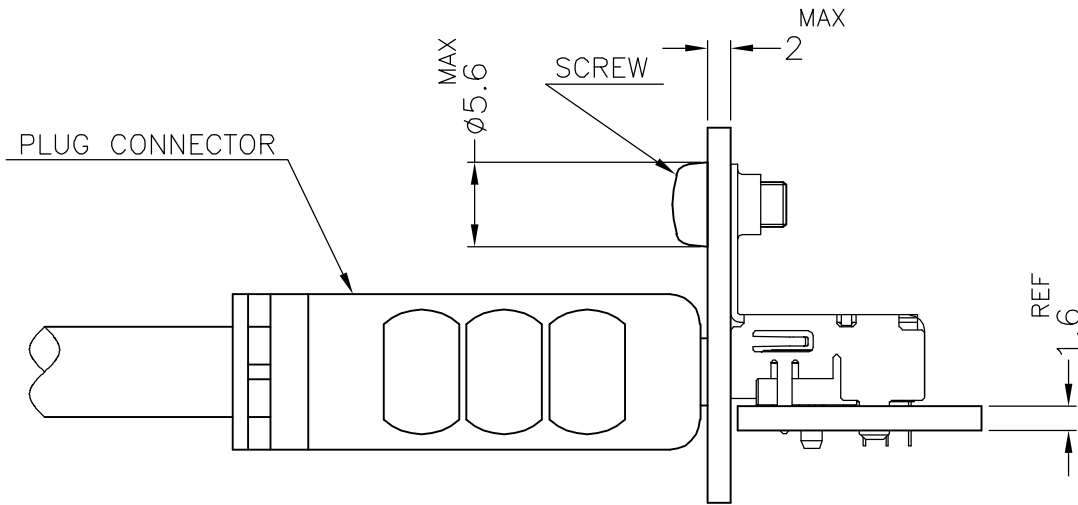
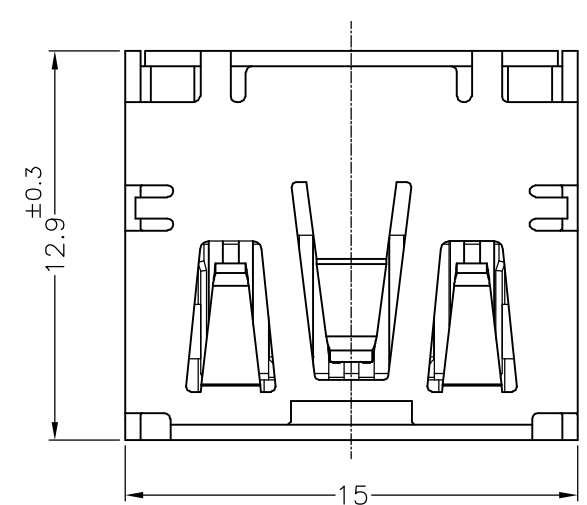
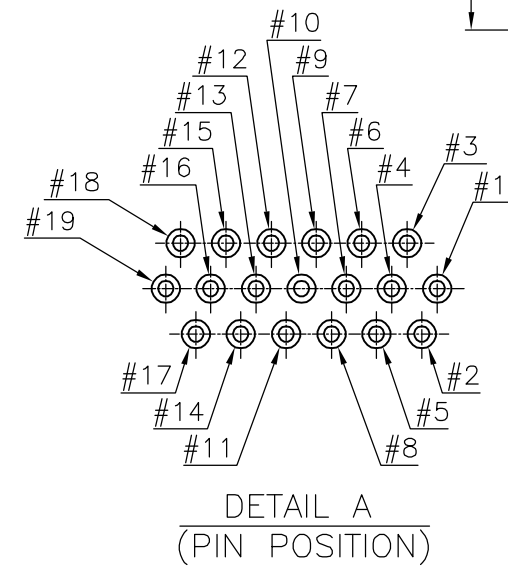
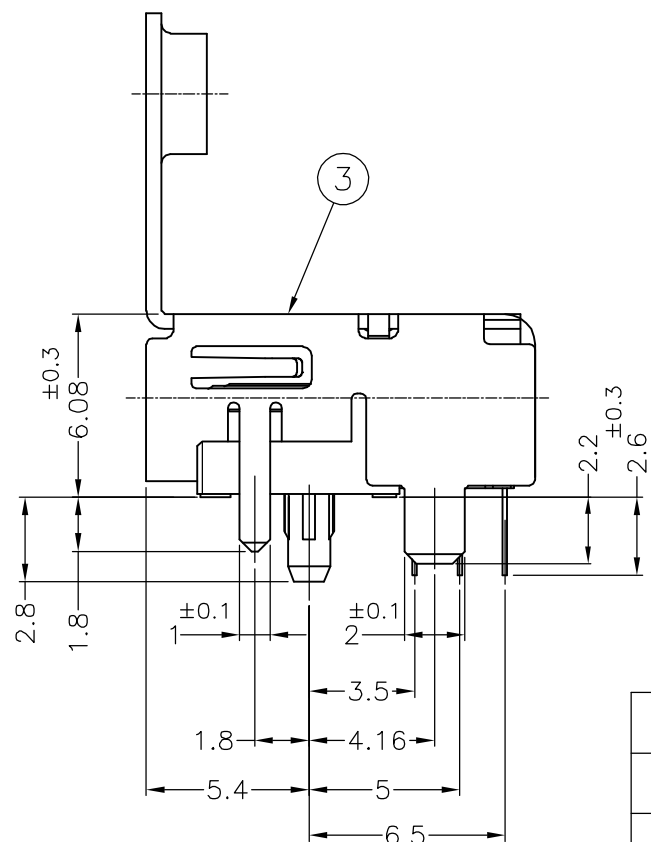
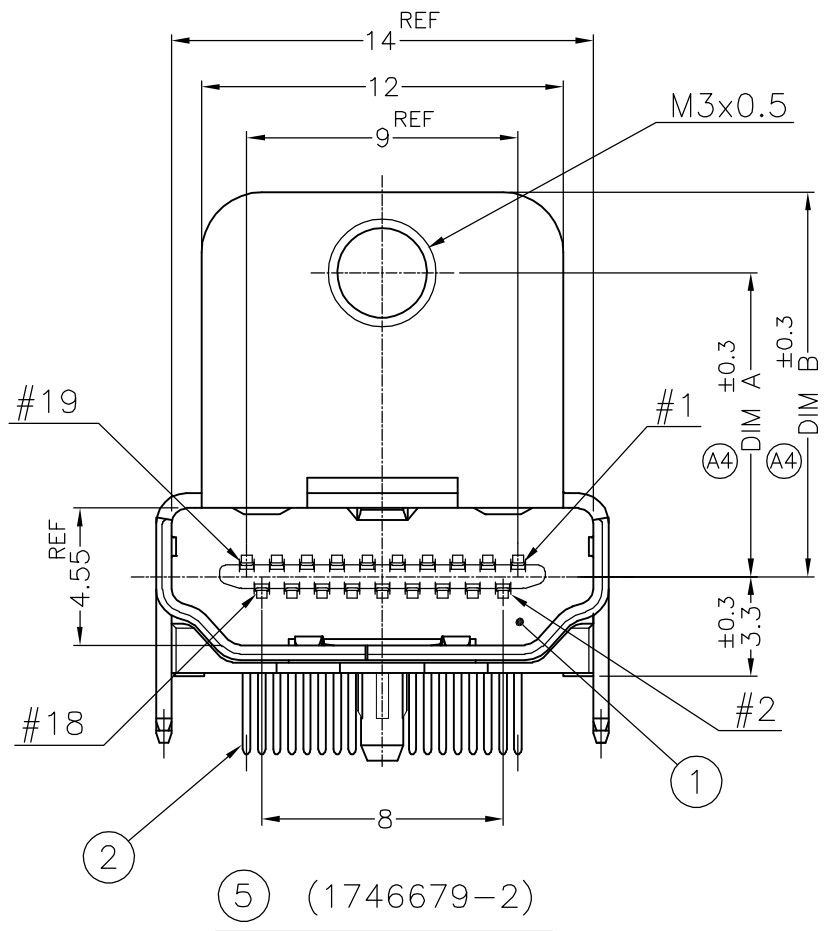


THIS DRAWING IS UNPUBLISHED. RELEASED FOR PUBLICATION  
 © COPYRIGHT BY TYCO ELECTRONICS CORPORATION. ALL RIGHTS RESERVED.

LOC	DIST	REVISIONS			
P	LTR	DESCRIPTION	DATE	DWN	APVD
J	-	REVISED ECR-06-00603	20MAR06	Y.H	K.K
A4					



MATING CONDITION (REFERENCE)  
(SCALE 2:1)



DETAIL A  
(PIN POSITION)

1 CONTACT COPLANALITY IS 0.1 MAXIMUM. 1 コンタクトコプラナリティーは0.1以下。

P.C.B LAYOUT  
SHOWN AS CONNECTOR MOUNTING SIDE  
TOLERANCE: NON-CUMULATIVE  
(REFERENCE)

FINISH	MATERIAL	QTY.	DISCRIPTION	ITEM
CONTACT AREA: Au 0.3µm MIN. SOLDERING AREA: TIN, ALL OVER UNDER Ni	COPPER ALLOY	19	CONTACT	③
Tin (MATTE), ALL OVER UNDER Ni	COPPER ALLOY	1	SHELL	②
	THERMOPLASTIC UL94V-0, BLACK COLOR	1	HOUSING	①

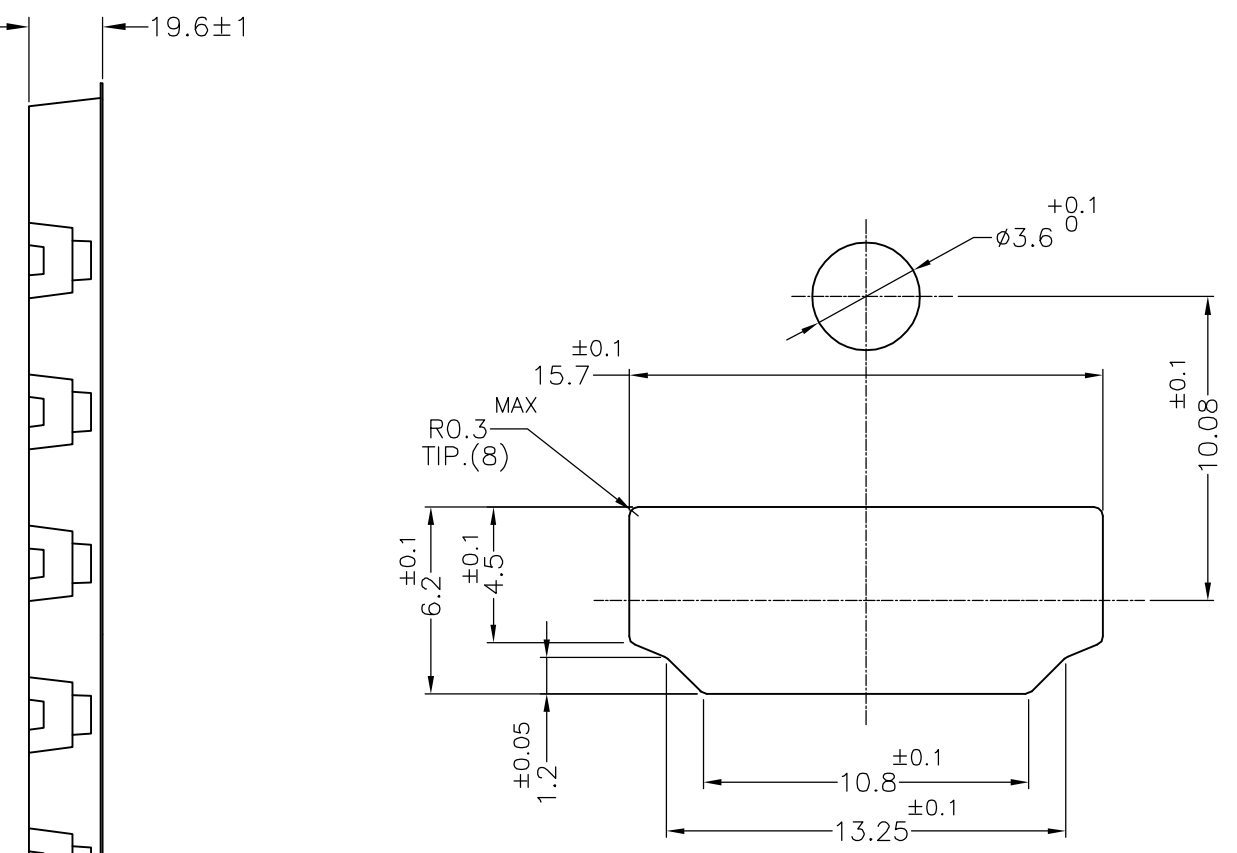
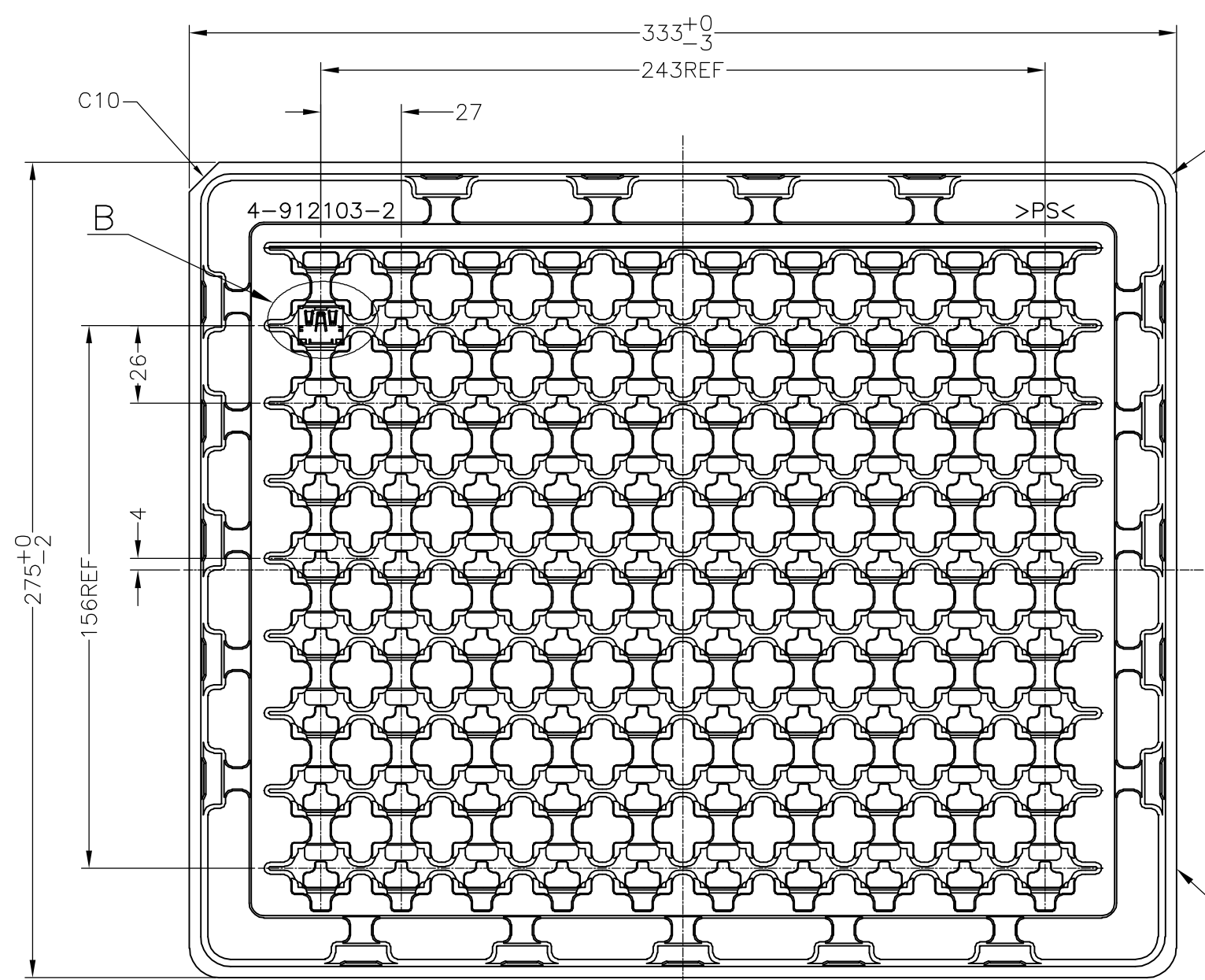
DIM B	DIM A	CONNECTOR P/N
12.75	10.08	1827362-2
11.97	9	1827362-1

THIS DRAWING IS A CONTROLLED DOCUMENT.

DWN Y.HIRATA 15SEPT2004	 Tyco Electronics AMP K.K. Kawasaki, Japan
CHK T.KIMURA 15SEP2004	
APVD K.IKEGAMI 15SEP2004	
PRODUCT SPEC 108-78180	
APPLICATION SPEC	NAME HDMI 19 POS RECEPTACLE ASSY DIP TYPE -LEAD FREE-
WEIGHT	SIZE A3
CUSTOMER DRAWING	CAGE CODE 00779
	DRAWING NO G-1746679
	RESTRICTED TO
	SCALE 4:1
	SHEET 1 OF 2
	REV A4

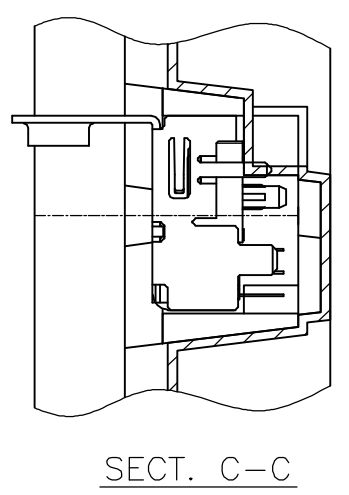
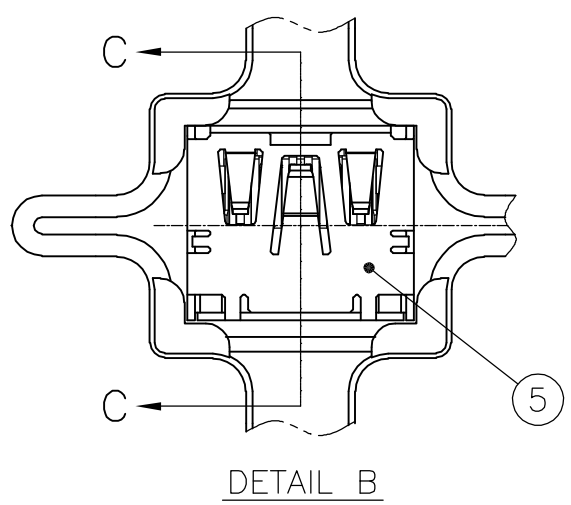
THIS DRAWING IS UNPUBLISHED. RELEASED FOR PUBLICATION  
 © COPYRIGHT BY TYCO ELECTRONICS CORPORATION. ALL RIGHTS RESERVED.

LOC	DIST	REVISIONS			
P	LTR	DESCRIPTION	DATE	DWN	APVD
J	-	SEE SHEET 1	-	-	-



PANEL CUT OUT DIMENSION  
(REFERENCE)

PART NUMBER: 1746679-1, -2; AS SHOWN



1746679-2	SEE SHEET 1	80	1827362-2	⑤
1746679-1	SEE SHEET 1	80	1827362-1	⑤
	PS	1	TRAY	④
PU RT NO	MATERIAL	QTY.	DISCRIPTION	ITEM

THIS DRAWING IS A CONTROLLED DOCUMENT.		DWN	Tyco Electronics AMP K.K.		
DIMENSIONS: MM		CHK	Kawasaki, Japan		
TOLERANCES UNLESS OTHERWISE SPECIFIED:		APVD	NAME		
0 PLC ± 0.2		PRODUCT SPEC	HDMI 19 POS		
1 PLC ± 0.2		APPLICATION SPEC	RECEPTACLE ASSY DIP TYPE		
2 PLC ± 0.2 ± 0.3		WEIGHT	-LEAD FREE-		
3 PLC ± 0.2		CUSTOMER DRAWING	SIZE	CAGE CODE	DRAWING NO
4 PLC ± 0.2			A3	00779	C-1746679
ANGLES ± -		SCALE	NTS	SHEET	2 OF 2
FINISH		REV	A4		